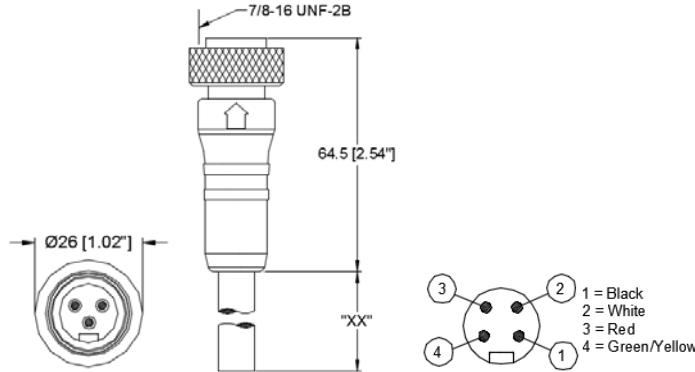


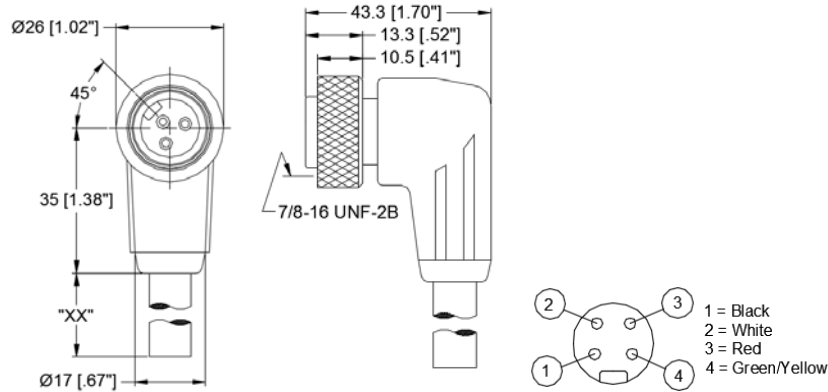


**Drawings**

End 1



End 2



**Technical Data**

| Cordage Construction      |  | Diameters (In) |
|---------------------------|--|----------------|
| Cordage Part Number       | 114                                      |                |
| Component 1               | 4 COND                                   |                |
| a) Conductor              | 16 (65/34) AWG Bare Copper               | 0.059          |
| b) Insulation             | 0.016" Wall, Nom. PVC/ 0.005" Wall Nylon | 0.101          |
| Insulation Colors         | Black, White, Red, Green/Yellow          |                |
| Jacket                    | 0.050" Wall, Nom. TPE                    | 0.350          |
| a) Color(s)               | YELLOW                                   |                |
| <b>Cord Configuration</b> |  |                |
| End 1                     | Mini Male 7/8", Internal Thread          |                |
| End 2                     | Mini Female 7/8" 90 Degree               |                |
| Insert                    | Yellow TPU                               |                |
| Mold Color                | Yellow TPU                               |                |
| Contact                   | Copper Alloy, Gold over Silver plated    |                |

Issue: 1 Issue Date: 8/1/2016 Effective Date: 8/1/2016

|   |   |   |
|---|---|---|
| Coupling Nut                                | Aluminum, anodized black  |   |
| Available Lengths                           | 0.6, 1, 3, 5, 10, 15, 20 Meters   |   |
| <b>Applicable Specifications- Cable</b>     |   |   |
| UL  | TC-ER<br>SUN RES<br>OIL RES I/II<br>AWM/STYLE 20327   | 90°C Dry/75°C Wet<br>600 V <sub>RMS</sub> |
| CSA International                           | C(UL) CIC Control/TC<br>FT4   | 90°C Dry/75°C Wet<br>600 V <sub>RMS</sub> |
| <b>Applicable Specifications- Cord Set</b>  |   |   |
| UL  | ANSI/UL 2238, Cable Assembly Extension<br>RU, UL File Number E485156  |   |
| CSA   | CSA-C22.2 No. 182.3, Special Use<br>Attachment Plugs, Receptacles and<br>Connectors<br>cRU, UL File Number E485156  |   |
| Ingress Protection                          | IP67  |   |
| <b>Environmental Compliance</b>             |   |   |
| CE  | All materials used in the manufacture of<br>this part meet the requirements of<br>European Directive 2011/65/EU regarding<br>the restriction of use of certain hazardous<br>substances in electrical and electronic<br>equipment. Exemption used; 6a. |   |
| REACH Regulation (EC<br>1907/2006)          | This product does not contain Substances<br>of Very High Concern (SVHC) listed on the<br>European Union's REACH candidate list in<br>excess of 0.1% mass of the item.   |   |
| <b>Physical &amp; Mechanical Properties</b> |   |   |
| Temperature Range, Cord                     | -30 to 90°C(static), -15 to 90°C (dynamic)  |   |
| Bend Radius                                 | 7X Cable Diameter (static), 10X Cable<br>Diameter (dynamic)   |   |
| Pull Tension                                | 81 Lbs, Maximum   |   |
| Current Rating                              | 7.3 Amps @ 50°C   |   |
| <b>Ordering Information</b>                 |   |   |
| PR04KW114 YL355                             | 0.6 Meters  |   |
| PR04KW114 YL356                             | 1.0 Meters  |   |
| PR04KW114 YL357                             | 3.0 Meters  |   |
| PR04KW114 YL358                             | 5.0 Meters  |   |
| PR04KW114 YL359                             | 10.0 Meters   |   |
| PR04KW114 YL400                             | 15.0 Meters   |   |
| PR04KW114 YL401                             | 20.0 Meters   |   |
| Standard Package                            | Each  |   |



[www.lapptannehill.com](http://www.lapptannehill.com) • 800.633.6339

Although Alpha Wire ("Alpha") makes every reasonable effort to ensure their accuracy at the time of this publication, information and specifications described herein are subject to error or omission and to change without notice, and the listing of such information and specifications does not ensure product availability. Alpha provides the information and specification herein on an "AS IS" basis, with no representations or warranties, whether express, statutory or implied. In no event will Alpha be liable any damages (including consequential, indirect, incidental, special, punitive, or exemplary damages) whatsoever, even if Alpha has been advised of the possibility of such damages, whether in an action under contract, negligence or any other theory, arising out of or in connection with the use, or inability to use, the information or specification described herein.