

## specifications

The dynamic cable manager shall reduce the strain that static mounts experience during the opening and closing of electrical cabinet doors. The cable bundle shall remain stationary with a ball-and-socket tether transferring and absorbing the strain during assembly, installation, and transportation. The mounts shall be manufactured from a Nylon 6.6 material with a rubber adhesive.



## technical information

<b>Patent:</b>	Pending
<b>Mount material:</b>	Nylon 6.6
<b>Color:</b>	White
<b>Adhesive type:</b>	Rubber
<b>Adhesive application temperature range:</b>	-40°F to 120°F (-40°C to 49°C); continuous
<b>Environmental compliance:</b>	2002/95/EC RoHS

## key features and benefits

<b>Unique mount design</b>	Transfers the dynamic load of the bundle away from the edge of the mount; preventing mount from peeling off panel surface
<b>Ball-and-socket tether</b>	Retains position of bundle relative to hinge while opening and closing panel door(s), reduces normal load by up to 70% with bundles over three-quarters of an inch, and reduces peak shear loads by up to 75% compared to typical static mounts; eliminating the risk for potential shocks and shorts that could damage internal components and extending service life of cable bundles and mounts
<b>Universal slot design</b>	Permits use of any cable tie with a 50 lbs. minimum loop tensile strength; providing design flexibility
<b>Rubber adhesive</b>	Rated for service conditions -40°F to 120°F (-40°C to 49°C); suitable for use within the control panel environment

## applications

The PANDUIT dynamic cable manager is a reliable and cost-effective solution for securing cable bundles in control panels that have hinged access into the panel box, which also ensures continuity of the related systems in the physical infrastructure. These mounts are well suited for use with control panels

featuring control lights, touch pads, and switches in the panel door. The unique mount allows the panel door to be easily opened and closed and extends the service life of the adhesive in applications where bundle movement is unavoidable.

### Dynamic Cable Manager

1.12" x 1.12"  
(28.4mm x 28.4mm)  
mounting base: ABDCM30-A-C

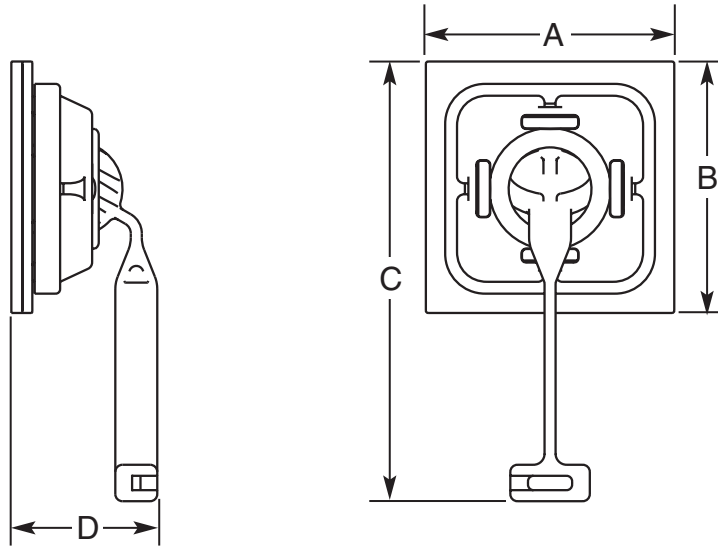
### Recommended Cable Ties

Use with PAN-TY® or DOME-TOP®  
Barb Ty cable ties up to Standard  
cross section (50 lbs. minimum  
loop tensile strength)

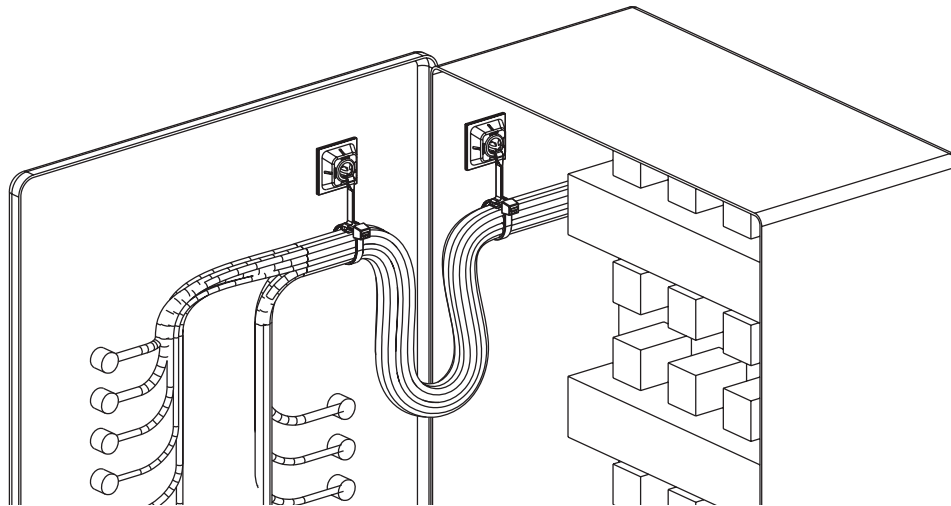
# Dynamic Cable Manager

## ordering information

Part Number	Used With Cable Ties	Mounting Method	Length (A)		Width (B)		Overall Width (C)		Height (D)		Material	Color	Std. Pkg. Qty.	Std. Ctn. Qty.
			In.	mm	In.	mm	In.	mm	In.	mm				
ABDCM30-A-C	Miniature, Intermediate, Standard	Rubber Adhesive	1.12	28.4	1.12	28.4	1.98	50.3	.66	16.8	Nylon 6.6	White	100	1000



## typical installation



### WORLDWIDE SUBSIDIARIES AND SALES OFFICES

PANDUIT CANADA  
Markham, Ontario  
cs-cdn@panduit.com  
Phone: 800.777.3300

PANDUIT EUROPE LTD.  
London, UK  
cs-emea@panduit.com  
Phone: 44.20.8601.7200

PANDUIT SINGAPORE PTE. LTD.  
Republic of Singapore  
cs-ap@panduit.com  
Phone: 65.6305.7575

PANDUIT JAPAN  
Tokyo, Japan  
cs-japan@panduit.com  
Phone: 81.3.3767.7011

PANDUIT LATIN AMERICA  
Jalisco, Mexico  
cs-la@panduit.com  
Phone: 52.333.777.6000

PANDUIT AUSTRALIA PTY. LTD.  
Victoria, Australia  
cs-aus@panduit.com  
Phone: 61.3.9794.9020

For a copy of PANDUIT product warranties, log on to [www.panduit.com/warranty](http://www.panduit.com/warranty)



For more information

Visit us at [www.panduit.com](http://www.panduit.com)

Contact Customer Service by email: [cs@panduit.com](mailto:cs@panduit.com)  
or by phone: 800-777-3300 and reference WASP11

©2008 PANDUIT Corp.  
ALL RIGHTS RESERVED.

WW-WASP11

10/2008