



ADVANCED DIGITAL CABLE INC.

94 Eagle Fork Road • Hayesville, NC 28904
 Phone: 800-343-2579 • Fax: 828-389-3922
www.adcable.com

Specifications

MECHANICAL SPECS:

Length: 2-1/4"

Diameter: 3/4"

Material: Body PPO/PA 66 (UL94/PA66)

Contact: Tin Plated Copper Alloy

Locking Retaining Force: 40 lbs

Temperature Rating: -40 to 125C

CONFORMITY STANDARDS

UL1703, NEC2008, IEC 61215, 61746,
 AND 61730, EN50521, ROHS Compliant

Wire Size Range: #10, #12, #14 AWG (#8 Available)

Strain Relief: Compression Gland w/Lock

Mateability: Fully intermateable with MC4

UV/Ozone resistant

Crimp Tool: Standard "U" terminal crimper
 ADC PN ATL-4500

ELECTRICAL SPECS:

Voltage Rating: 1,000VDC (IEC, CEI)
 600VDC (UL)

Current Rating: 25A (14 AWG)
 36A (12 AWG)

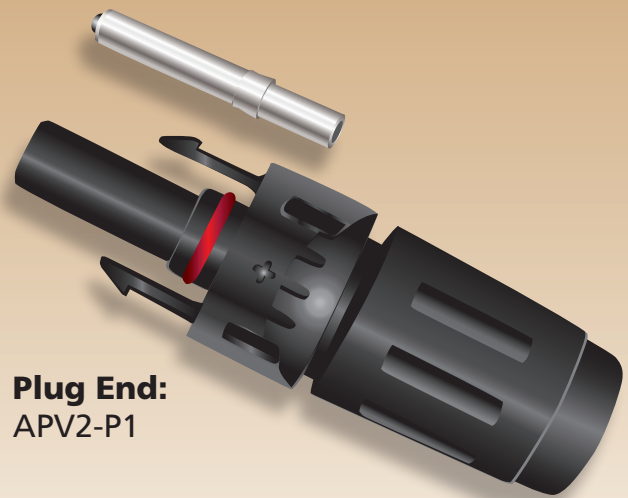
Contact Resistance: ≤ 0.2 M Ohms

Test Voltage (max): 8,000 VDC

SOLAR PANEL CONNECTORS



**Jack
(Female) End:
APV2-J1**



**Plug End:
APV2-P1**

Connector Information

ADC Part No.	Description	Packaging
ACN40-A047	Male PV Conector, MC4 Compatible	50 per bag
ACN40-A048	Female PV Connector, MC4 Compatible	50 per bag
ACN40-A049	Male/Female Mated Pair PV Connector, MC4 Compatible	50 per bag